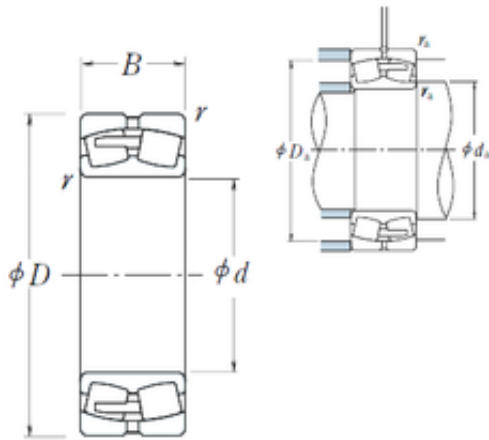




BEARING USA CORP.

23052CAE4 NSK Spherical Roller Bearing



Bearing No. 23052CAE4

Size	260x400x104 mm
Bore Diameter	260 mm
Outer Diameter	400 mm
Width	104 mm
d	260 mm
D	400 mm
B	104 mm
C	104 mm
r min.	4 mm
da min.	278 mm
Da min	356 mm
Da max.	382 mm
ra max.	3 mm
Weight	46,6 Kg
Basic dynamic load rating (C)	1430 kN
Basic static load rating (C0)	2580 kN
(Grease) Lubrication Speed	800 r/min
(Oil) Lubrication Speed	950 r/min
Calculation factor (e)	0,25
Calculation factor (Y0)	2,7
Calculation factor (Y2)	4,1

23052CAE4 Bearing 2D drawings and 3D CAD models