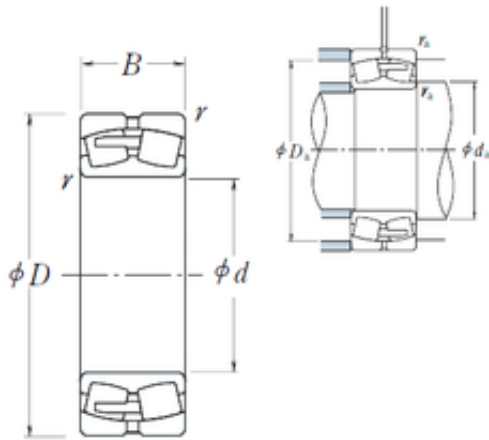




BEARING USA CORP.

23172CAE4 NSK Spherical Roller Bearing



Bearing No. 23172CAE4

Size	360x600x192 mm
Bore Diameter	360 mm
Outer Diameter	600 mm
Width	192 mm
d	360 mm
D	600 mm
B	192 mm
C	192 mm
r min.	5 mm
da min.	382 mm
Da min	520 mm
Da max.	578 mm
ra max.	4 mm
Weight	217 Kg
Basic dynamic load rating (C)	3800 kN
Basic static load rating (C0)	7100 kN
(Grease) Lubrication Speed	400 r/min
(Oil) Lubrication Speed	530 r/min
Calculation factor (e)	0,31
Calculation factor (Y0)	2,1
Calculation factor (Y2)	3,2

23172CAE4 Bearing 2D drawings and 3D CAD models