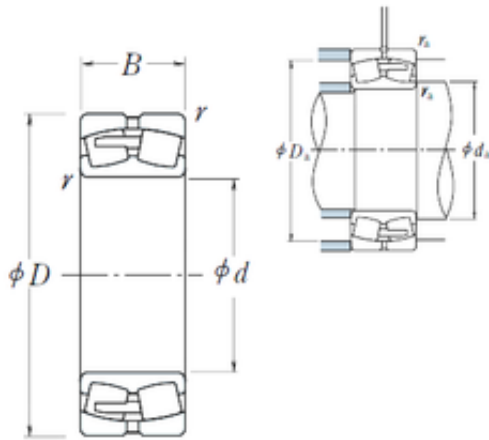




# BEARING USA CORP.

## 231/500CAE4 NSK Spherical Roller Bearing



Bearing No. 231/500CAE4

Size	500x830x264 mm
Bore Diameter	500 mm
Outer Diameter	830 mm
Width	264 mm
d	500 mm
D	830 mm
B	264 mm
C	264 mm
r min.	7,5 mm
da min.	536 mm
Da min	720 mm
Da max.	794 mm
ra max.	6 mm
Weight	567 Kg
Basic dynamic load rating (C)	6850 kN
Basic static load rating (C0)	13400 kN
(Grease) Lubrication Speed	280 r/min
(Oil) Lubrication Speed	360 r/min
Calculation factor (e)	0,31
Calculation factor (Y0)	2,1
Calculation factor (Y2)	3,2

231/500CAE4 Bearing 2D drawings and 3D CAD models