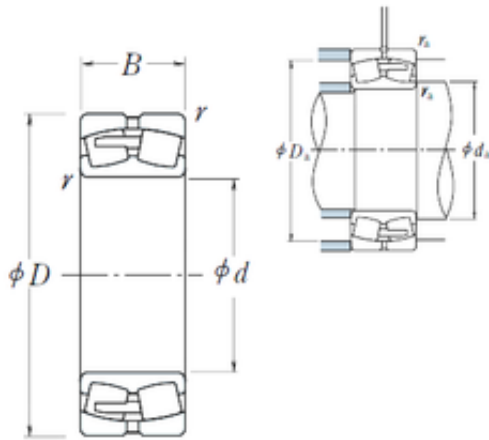




BEARING USA CORP.

240/1000CAE4 NSK Spherical Roller Bearing



Bearing No. 240/1000CAE4

Size	1000x1420x412 mm
Bore Diameter	1000 mm
Outer Diameter	1420 mm
Width	412 mm
d	1000 mm
D	1420 mm
B	412 mm
C	412 mm
r min.	7,5 mm
da min.	1036 mm
Da min	1275 mm
Da max.	1384 mm
ra max.	6 mm
Weight	2010 Kg
Basic dynamic load rating (C)	15300 kN
Basic static load rating (C0)	38500 kN
(Grease) Lubrication Speed	110 r/min
(Oil) Lubrication Speed	150 r/min
Calculation factor (e)	0,27
Calculation factor (Y0)	2,4
Calculation factor (Y2)	3,7

240/1000CAE4 Bearing 2D drawings and 3D CAD models