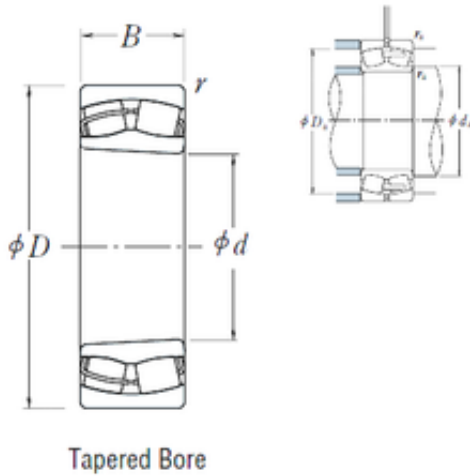




BEARING USA CORP.



23124CKE4 NSK Spherical Roller Bearing

Bearing No. 23124CKE4

Size	120x200x62 mm
Bore Diameter	120 mm
Outer Diameter	200 mm
Width	62 mm
d	120 mm
D	200 mm
B	62 mm
C	62 mm
r min.	2 mm
da min.	130 mm
da max	138 mm
Da min	175 mm
Da max.	190 mm
ra max.	2 mm
Weight	7,85 Kg
Basic dynamic load rating (C)	465 kN
Basic static load rating (C0)	720 kN
(Grease) Lubrication Speed	1400 r/min
(Oil) Lubrication Speed	1800 r/min
Calculation factor (e)	0,29
Calculation factor (Y0)	2,3
Calculation factor (Y2)	3,5
Category	Spherical Roller Bearings
Inventory	0.0
Manufacturer Name	NSK
Minimum Buy Quantity	N/A

23124CKE4 Bearing 2D drawings and 3D CAD models



BEARING USA CORP.

Weight / Kilogram	7.7
Product Group	B04311
Internal Clearance	C0-Medium
Mounting Method	Adapter Mount
Rolling Element	Spherical Roller Bearing
Bore Profile	Tapered
Cage Material	Steel
Enclosure	Open
Number of Rows of Rollers	Double Row
Relubricatable	Yes
Withdrawal Sleeve	AHX3124 (Specify bore)
Inch - Metric	Metric
Long Description	120MM Tapered Bore; 200MM Outside Diameter; 62MM Width; C0-Medium Clearance; Adapter Mount; Double Row of Spherical Roller Bearings; Steel Cage Material; Open Enclosure; Relubricatable; Adapter Part N
Other Features	Order adapter or withdrawal sleeve or nut separately. Others may be available
Category	Spherical Roller Bearing
UNSPSC	31171510
Harmonized Tariff Code	84823080
Noun	Bearing
Keyword String	Spherical
Manufacturer URL	http://www.nskamericas.com
Manufacturer Item Number	23124CKE4
Weight / LBS	7.64
Adapter Part Number	SNW3124 H3124 HA3124 HE3124 (Specify bore) Inch



BEARING USA CORP.

	H3124 (Specify bore) Millimeter
Bore	4.724 Inch 120 Millimeter
Outside Diameter	7.874 Inch 200 Millimeter
Width	2.441 Inch 62 Millimeter
bore diameter:	120 mm
outer ring type:	Not Split
outside diameter:	200 mm
internal clearance:	C0
overall width:	62 mm
lubrication hole type:	Oil Grooves And Holes In Outer Ring
bore type:	Tapered 1:12
cage material:	Bronze
Y3	2.4
hidYobi	23124CKE4
LangID	1
Y1	2.3
D_	200
Y2	3.5
Macha rpm	0
B_	62
da min	130
hidTable	ecat_NSSPHR
Oil rpm	1800
Y0	2.3
mass	7.85
GRS rpm	1400
ra	2
TSR rpm	2800
C0	720
DE_	180.721
X0	1



BEARING USA CORP.

Prod_Type3	SRB_CTB_TB
X1	1
X2	0.67
SIR	24
e	0.29
DA_	20
bomp	23124CKE4
Z_	21
ALP2	50
ALP1	10
ALP3	0
D_a max	190
D_a min	175
yobi	23124CKE4
ALPHA_	0.189
SDM_	161.077
r	2
KBRG	2322
SBRG	31
DI_	141.434