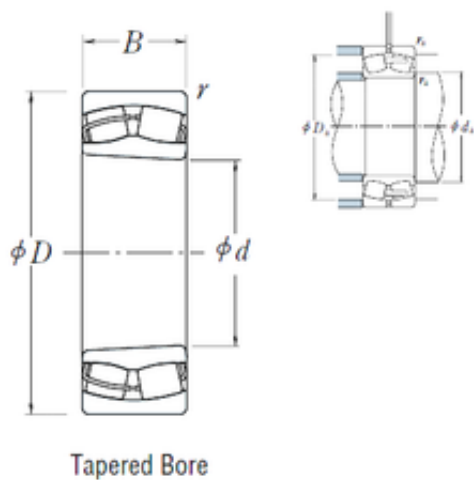




# BEARING USA CORP.



## 24026CK30E4 NSK Spherical Roller Bearing

Bearing No. 24026CK30E4

Size	130x200x69 mm
Bore Diameter	130 mm
Outer Diameter	200 mm
Width	69 mm
d	130 mm
D	200 mm
B	69 mm
C	69 mm
r min.	2 mm
da min.	140 mm
da max	143 mm
Da min	175 mm
Da max.	190 mm
ra max.	2 mm
Weight	7,84 Kg
Basic dynamic load rating (C)	495 kN
Basic static load rating (C0)	865 kN
(Grease) Lubrication Speed	1400 r/min
(Oil) Lubrication Speed	1800 r/min
Calculation factor (e)	0,31
Calculation factor (Y0)	2,1
Calculation factor (Y2)	3,2
Category	Bearings
Inventory	0.0
Manufacturer Name	NSK
Minimum Buy Quantity	N/A

24026CK30E4 Bearing 2D drawings and 3D CAD models



## BEARING USA CORP.

Weight / Kilogram	7.8
Product Group	B04311
Y3	2.2
hidYobi	24026CK30E4
LangID	1
Y1	2.1
D_	200
Y2	3.2
Macha rpm	0
B_	69
da min	140
hidTable	ecat_NSSPHR
Oil rpm	1800
Y0	2.1
mass	7.84
GRS rpm	1400
ra	2
TSR rpm	2200
C0	865
DE_	182.102
X0	1
Prod_Type3	SRB_CTB_TB
X1	1
X2	0.67
SIR	27.5
e	0.31
DA_	17.5
bomp	24026CK30E4
Z_	24
ALP2	45
ALP1	11
ALP3	0



## BEARING USA CORP.

D_a max	190
D_a min	175
yobi	24026CK30E4
ALPHA_	0.205
SDM_	164.969
r	2
KBRG	2322
SBRG	40
DI_	147.836