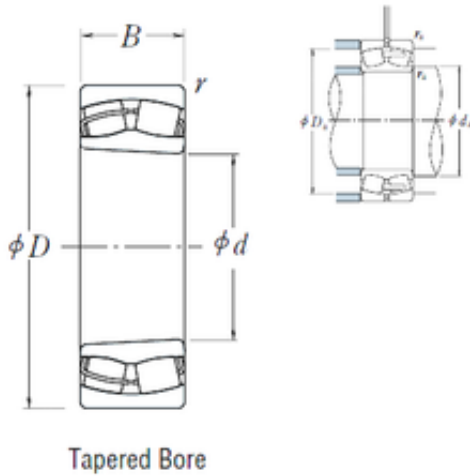




BEARING USA CORP.



24126CK30E4 NSK Spherical Roller Bearing

Bearing No. 24126CK30E4

Size	130x210x80 mm
Bore Diameter	130 mm
Outer Diameter	210 mm
Width	80 mm
d	130 mm
D	210 mm
B	80 mm
C	80 mm
r min.	2 mm
da min.	140 mm
da max	146 mm
Da min	180 mm
Da max.	200 mm
ra max.	2 mm
Weight	10,7 Kg
Basic dynamic load rating (C)	590 kN
Basic static load rating (C0)	1010 kN
(Grease) Lubrication Speed	1300 r/min
(Oil) Lubrication Speed	1700 r/min
Calculation factor (e)	0,35
Calculation factor (Y0)	1,9
Calculation factor (Y2)	2,9
Category	Bearings
Inventory	0.0
Manufacturer Name	NSK
Minimum Buy Quantity	N/A

24126CK30E4 Bearing 2D drawings and 3D CAD models



BEARING USA CORP.

Weight / Kilogram	11
Product Group	B04311
Y3	1.9
hidYobi	24126CK30E4
LangID	1
Y1	1.9
D_	210
Y2	2.9
Macha rpm	0
B_	80
da min	140
hidTable	ecat_NSSPHR
Oil rpm	1700
Y0	1.9
mass	10.7
GRS rpm	1300
ra	2
TSR rpm	1800
C0	1010
DE_	189.874
X0	1
Prod_Type3	SRB_CTB_TB
X1	1
X2	0.67
SIR	32
e	0.35
DA_	19.5
bomp	24126CK30E4
Z_	22
ALP2	10
ALP1	13
ALP3	0



BEARING USA CORP.

D_a max	200
D_a min	180
yobi	24126CK30E4
ALPHA_	0.23
SDM_	170.886
r	2
KBRG	2322
SBRG	41
DI_	151.899