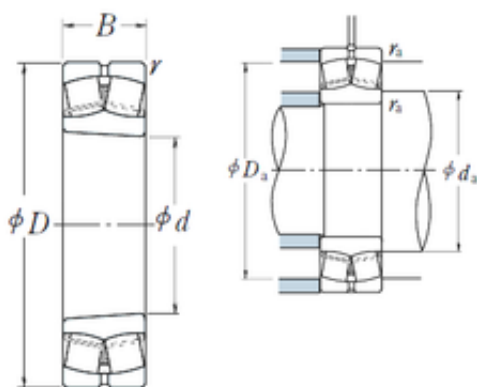




# BEARING USA CORP.



Tapered Bore

## 22226EAKE4 NSK Spherical Roller Bearing

Bearing No. 22226EAKE4

Size	130x230x64 mm
Bore Diameter	130 mm
Outer Diameter	230 mm
Width	64 mm
d	130 mm
D	230 mm
B	64 mm
C	64 mm
r min.	3 mm
da min.	144 mm
da max	152 mm
Da min	204 mm
Da max.	216 mm
ra max.	2,5 mm
Weight	11 Kg
Basic dynamic load rating (C)	655 kN
Basic static load rating (C0)	940 kN
(Grease) Lubrication Speed	1900 r/min
(Oil) Lubrication Speed	2400 r/min
Calculation factor (e)	0,26
Calculation factor (Y0)	2,5
Calculation factor (Y2)	3,8
Category	Spherical Roller Bearings
Inventory	0.0
Manufacturer Name	NSK
Minimum Buy Quantity	N/A

22226EAKE4 Bearing 2D drawings and 3D CAD models



## BEARING USA CORP.

Weight / Kilogram	11
Product Group	B04311
Internal Clearance	C0-Medium
Mounting Method	Adapter Mount
Rolling Element	Spherical Roller Bearing
Bore Profile	Tapered
Cage Material	Steel
Enclosure	Open
Number of Rows of Rollers	Double Row
Relubricatable	Yes
Withdrawal Sleeve	AHX3126 (Specify bore)
Inch - Metric	Metric
Long Description	130MM Tapered Bore; 230MM Outside Diameter; 64MM Width; C0-Medium Clearance; Adapter Mount; Double Row of Spherical Roller Bearings; Steel Cage Material; Open Enclosure; Relubricatable; Adapter Part N
Other Features	Order adapter or withdrawal sleeve or nut separately. Others may be available
Category	Spherical Roller Bearing
UNSPSC	31171510
Harmonized Tariff Code	84823080
Noun	Bearing
Keyword String	Spherical
Manufacturer URL	<a href="http://www.nskamericas.com">http://www.nskamericas.com</a>
Manufacturer Item Number	22226EAKE4
Weight / LBS	11
Adapter Part Number	SNW3126 H3126 HA3126 HE3126 (Specify bore) Inch



## BEARING USA CORP.

	H3126 (Specify bore) Millimeter
Outside Diameter	9.055 Inch   230 Millimeter
Bore	5.118 Inch   130 Millimeter
Width	2.52 Inch   64 Millimeter
bore diameter:	130 mm
maximum rpm:	2600 RPM
outside diameter:	230 mm
operating temperature range:	Maximum of +200 ° C
overall width:	64 mm
cage material:	Steel
bore type:	Tapered 1:12
bearing material:	Steel
outer ring type:	Not Split
cage type:	Roller Guided
internal clearance:	C0
precision rating:	RBEC 1 (ISO Class Normal)
closure type:	Open
finish/coating:	Uncoated
lubrication hole type:	Lubrication Groove & Hole
outer ring width:	64 mm
dynamic load capacity:	820000 N
fillet radius:	3 mm
static load capacity:	940000 N
series:	222
Y3	2.6
hidYobi	22226EAKE4
LangID	1
Y1	2.5
D_	230
Y2	3.8



## BEARING USA CORP.

Macha rpm	2600
B_	64
da min	144
hidTable	ecat_NSSPHR
Oil rpm	2600
Y0	2.5
mass	11
GRS rpm	2200
ra	2.5
TSR rpm	2800
C0	940
DE_	209.796
X0	1
Prod_Type3	SRB_CTB_TB
X1	1
X2	0.67
SIR	26.6
e	0.26
DA_	27.2
bomp	22226EAKE4
Z_	19
ALP2	57
ALP1	9
ALP3	0
D_a max	216
D_a min	204
yobi	22226EAKE4
HPS	HPS
ALPHA_	0.174
SDM_	183.005
r	3
KBRG	2328



## BEARING USA CORP.

SBRG	22
DI_	156.214