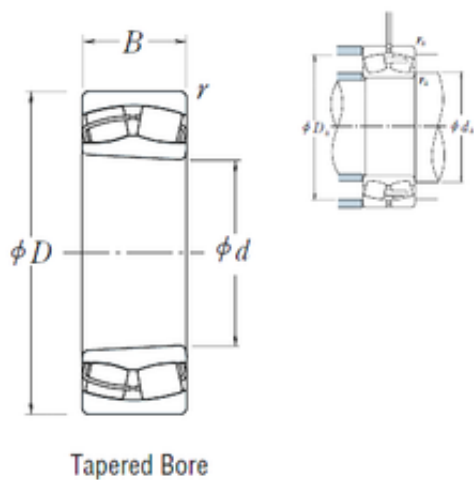




BEARING USA CORP.



24030CK30E4 NSK Spherical Roller Bearing

Bearing No. 24030CK30E4

Size	150x225x75 mm
Bore Diameter	150 mm
Outer Diameter	225 mm
Width	75 mm
d	150 mm
D	225 mm
B	75 mm
C	75 mm
r min.	2,1 mm
da min.	162 mm
da max	165 mm
Da min	198 mm
Da max.	213 mm
ra max.	2 mm
Weight	10,5 Kg
Basic dynamic load rating (C)	590 kN
Basic static load rating (C0)	1090 kN
(Grease) Lubrication Speed	1200 r/min
(Oil) Lubrication Speed	1500 r/min
Calculation factor (e)	0,3
Calculation factor (Y0)	2,2
Calculation factor (Y2)	3,4
Category	Bearings
Inventory	0.0
Manufacturer Name	NSK
Minimum Buy Quantity	N/A

24030CK30E4 Bearing 2D drawings and 3D CAD models



BEARING USA CORP.

Weight / Kilogram	10.4
Product Group	B04311
Y3	2.3
hidYobi	24030CK30E4
LangID	1
Y1	2.2
D_	225
Y2	3.4
Macha rpm	0
B_	75
da min	162
hidTable	ecat_NSSPHR
Oil rpm	1500
Y0	2.2
mass	10.5
GRS rpm	1200
ra	2
TSR rpm	1900
C0	1090
DE_	205.965
X0	1
Prod_Type3	SRB_CTB_TB
X1	1
X2	0.67
SIR	30
e	0.3
DA_	18.5
bomp	24030CK30E4
Z_	26
ALP2	15
ALP1	11
ALP3	0



BEARING USA CORP.

D_a max	213
D_a min	198
yobi	24030CK30E4
ALPHA_	0.196
SDM_	187.82
r	2.1
KBRG	2322
SBRG	40
DI_	169.676