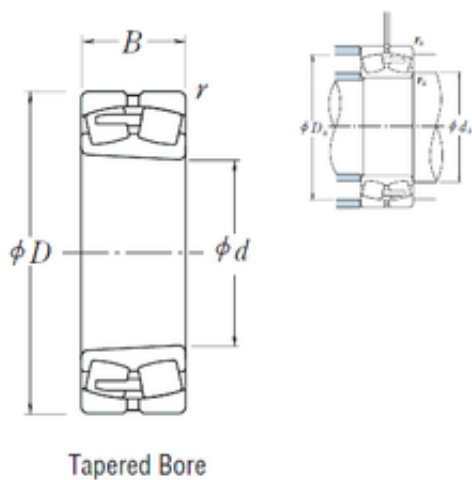




# BEARING USA CORP.



## 23934BCAKE4 NSK Spherical Roller Bearing

Bearing No. 23934BCAKE4

Size	170x230x45 mm
Bore Diameter	170 mm
Outer Diameter	230 mm
Width	45 mm
d	170 mm
D	230 mm
B	45 mm
C	45 mm
r min.	2 mm
da min.	180 mm
Da min	213 mm
Da max.	220 mm
ra max.	2 mm
Weight	5,38 Kg
Basic dynamic load rating (C)	350 kN
Basic static load rating (C0)	660 kN
(Grease) Lubrication Speed	1400 r/min
(Oil) Lubrication Speed	1800 r/min
Calculation factor (e)	0,17
Calculation factor (Y0)	3,8
Calculation factor (Y2)	5,8

23934BCAKE4 Bearing 2D drawings and 3D CAD models