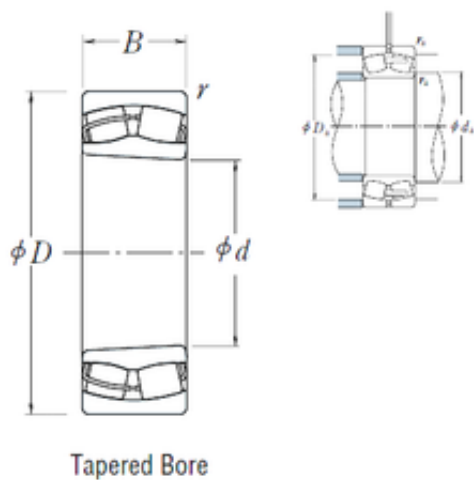




BEARING USA CORP.



24048CK30E4 NSK Spherical Roller Bearing

Bearing No. 24048CK30E4

Size	240x360x118 mm
Bore Diameter	240 mm
Outer Diameter	360 mm
Width	118 mm
d	240 mm
D	360 mm
B	118 mm
C	118 mm
r min.	3 mm
da min.	254 mm
da max	265 mm
Da min	317 mm
Da max.	346 mm
ra max.	2,5 mm
Weight	43,4 Kg
Basic dynamic load rating (C)	1390 kN
Basic static load rating (C0)	2730 kN
(Grease) Lubrication Speed	710 r/min
(Oil) Lubrication Speed	950 r/min
Calculation factor (e)	0,29
Calculation factor (Y0)	2,2
Calculation factor (Y2)	3,4
hidYobi	24048CK30E4
LangID	1
Y1	300.783
D_	360

24048CK30E4 Bearing 2D drawings and 3D CAD models



BEARING USA CORP.

Macha rpm	0
B_	118
hidTable	ecat_NSSPHR
Oil rpm	950
TSR rpm	1100
C0	2730
DE_	329.733
X0	1
Prod_Type3	SRB_CTB_TB
X1	1
X2	0.67
SIR	47
DA_	29.5
bomp	24048CK30E4
Z_	26
ALP2	5
ALP1	11
ALP3	0
yobi	24048CK30E4
ALPHA_	0.193
SDM_	300.783
r	3
DI_	271.834