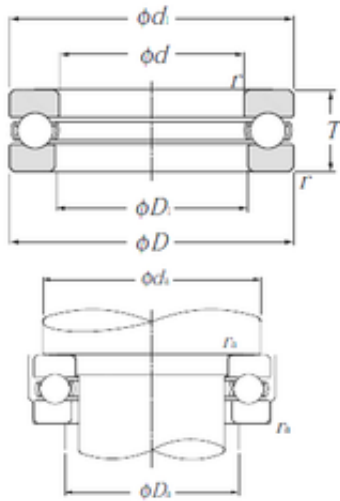




BEARING USA CORP.



51226 NTN Thrust Spherical Roller Bearing

Bearing No. 51226

51226 Bearing 2D drawings and 3D CAD models

Size	130x190x45 mm
Bore Diameter	130 mm
Outer Diameter	190 mm
Width	45 mm
d	130 mm
D	190 mm
T	45 mm
d1	187 mm
r min.	1,5 mm
D1	133 mm
da min.	166 mm
Da max.	154 mm
ra max.	1,5 mm
Weight	4,22 Kg
Basic dynamic load rating (C)	191 kN
Basic static load rating (C0)	565 kN
(Grease) Lubrication Speed	1 000 r/min
Category	Thrust Ball Bearing
Inventory	0.0
Manufacturer Name	NTN
Minimum Buy Quantity	N/A
Weight / Kilogram	4.22
Product Group	B00308
Rolling Element	Ball Bearing
Thrust Bearing	Yes
Single or Double Direction	Single Direction



BEARING USA CORP.

Banded	No
Cage Material	Steel
Precision Class	ABEC 1 ISO P0
Component Description	Roller Assembly Plus Raceways
Other Features	Single Row With Flat Seat
Long Description	130MM Bore 1; 133MM Bore 2; 190MM Outside Diameter; 45MM Height; Ball Bearing; Single Direction; Not Banded; Steel Cage; ABEC 1 ISO P0 Precision
Inch - Metric	Metric
Category	Thrust Ball Bearings
UNSPSC	31171552
Harmonized Tariff Code	8482.10.50.08
Noun	Bearing
Keyword String	Ball Thrust
Manufacturer URL	http://www.ntnamerica.com
Manufacturer Item Number	51226
Weight / LBS	9.30351
Overall Height with Aligning Washer	0 Inch 0 Millimeter
Height	1.772 Inch 45 Millimeter
Bore 2	5.236 Inch 133 Millimeter
Outside Diameter	7.48 Inch 190 Millimeter
Bore 1	5.118 Inch 130 Millimeter