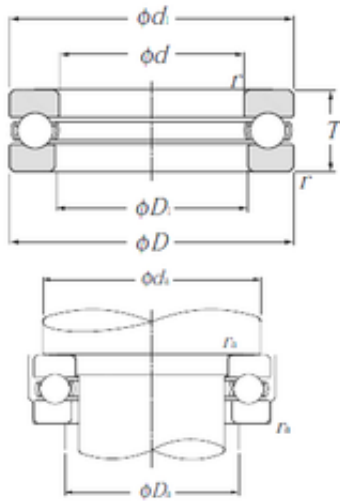




BEARING USA CORP.



51134 NTN Thrust Spherical Roller Bearing

Bearing No. 51134

Size	170x215x34 mm
Bore Diameter	170 mm
Outer Diameter	215 mm
Width	34 mm
d	170 mm
D	215 mm
T	34 mm
d1	213 mm
r min.	1,1 mm
D1	172 mm
da min.	197 mm
Da max.	188 mm
ra max.	1 mm
Weight	2,77 Kg
Basic dynamic load rating (C)	134 kN
Basic static load rating (C0)	510 kN
(Grease) Lubrication Speed	1 100 r/min
Category	Thrust Ball Bearing
Inventory	0.0
Manufacturer Name	NTN
Minimum Buy Quantity	N/A
Weight / Kilogram	2.672
Product Group	B00308
Rolling Element	Ball Bearing
Thrust Bearing	Yes
Single or Double Direction	Single Direction

51134 Bearing 2D drawings and 3D CAD models



BEARING USA CORP.

Banded	No
Cage Material	Steel
Precision Class	ABEC 1 ISO P0
Component Description	Roller Assembly Plus Raceways
Other Features	Single Row With Flat Seat
Long Description	170MM Bore 1; 172MM Bore 2; 215MM Outside Diameter; 34MM Height; Ball Bearing; Single Direction; Not Banded; Steel Cage; ABEC 1 ISO P0 Precision
Inch - Metric	Metric
Category	Thrust Ball Bearings
UNSPSC	31171552
Harmonized Tariff Code	8482.10.50.08
Noun	Bearing
Keyword String	Ball Thrust
Manufacturer URL	http://www.ntnamerica.com
Manufacturer Item Number	51134
Weight / LBS	6.1068
Bore 2	6.772 Inch 172 Millimeter
Outside Diameter	8.465 Inch 215 Millimeter
Height	1.339 Inch 34 Millimeter
Bore 1	6.693 Inch 170 Millimeter
Overall Height with Aligning Washer	0 Inch 0 Millimeter
bore diameter:	170 mm
dynamic load capacity:	134000 N
outside diameter:	213 mm
operating temperature range:	-40 to 120 ° C
overall width:	34 mm



BEARING USA CORP.

maximum rpm:	1600 rpm
thrust bearing type:	Single-Direction
bearing material:	High Carbon Chrome Steel
outside diameter design:	Straight
cage material:	Steel
separable or banded:	Separable
fillet radius:	1.1 mm
precision rating:	ISO Class 0
manufacturer product page:	Click here
static load capacity:	510000 N