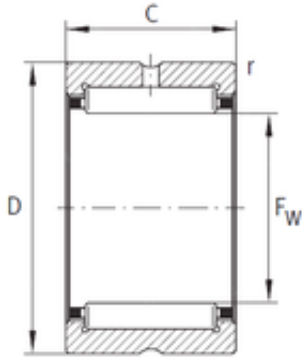




# BEARING USA CORP.

## 3206 Z Angular Contact Ball Bearing



Bearing No. NK100/36

NK100/36 Bearing 2D drawings and 3D CAD models

Size	100x120x36 mm
Bore Diameter	100 mm
Outer Diameter	120 mm
Width	36 mm
F <sub>w</sub>	100 mm
D	120 mm
C	36 mm
r min.	1 mm
Weight	0,715 Kg
Basic dynamic load rating (C)	125 kN
Basic static load rating (C <sub>0</sub> )	237 kN
Fatigue load limit (P <sub>u</sub> )	41,5
Reference speed	3 000 r/min
Limiting speed	4 600 r/min
Category	Needle Non Thrust Roller Bearings
Inventory	0.0
Manufacturer Name	SCHAEFFLER GROUP
Minimum Buy Quantity	N/A
Weight / Kilogram	0.856
Product Group	B04144
Rolling Element	Needle Roller Bearing
Component	Roller Assembly with Outer Ring - No Inner Ring
Enclosure	Open
Self Aligning	No



## BEARING USA CORP.

Retainer	Yes
Number of Rows of Rollers	Single Row
Separable	No
Closed End	No
Inch - Metric	Metric
Relubricatable	Yes
Thrust Bearing	No
Long Description	100MM Bore; 120MM Outside Diameter; 36MM Width; Needle Roller Bearing; Roller Assembly with Outer Ring - No Inner Ring; Open Enclosure; No Self Aligning; Retainer; Single Row of Rollers; No Separable;
Other Features	2 Rib Outer Ring   Radial Precision Bearing   Steel Cage   Light Duty   Ground Raceway with Rib   Oil Hole
Category	Needle Non Thrust Roller Bearing
UNSPSC	31171512
Harmonized Tariff Code	8482.40.00.00
Noun	Bearing
Keyword String	Needle
Manufacturer URL	<a href="http://www.ina.com">http://www.ina.com</a>
Manufacturer Item Number	NK100/36
Weight / LBS	1.577
Outside Diameter	4.724 Inch   120 Millimeter
Width	1.417 Inch   36 Millimeter
Bore	3.937 Inch   100 Millimeter