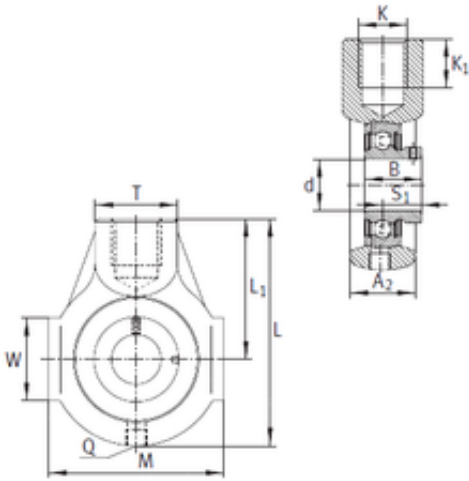




BEARING USA CORP.

3803-2RS Bearing 17x26x7

Bearing No. PHEY25



PHEY25 Bearing 2D drawings and 3D CAD models

Bore Diameter	25 mm
d	25 mm
S1	19,5 mm
K1	22 mm
Thread (Q)	Rp1/8
Thread (K)	M20
B	27 mm
L	99 mm
L1	64 mm
M	70 mm
T	35 mm
W	38 mm
A2	28 mm
Weight	0,68 Kg
Basic dynamic load rating (C)	14 kN
Category	Mounted Units & Inserts
Inventory	0.0
Manufacturer Name	SCHAEFFLER GROUP
Minimum Buy Quantity	N/A
Weight / Kilogram	0.814
EAN	4012802806267
Product Group	M06110