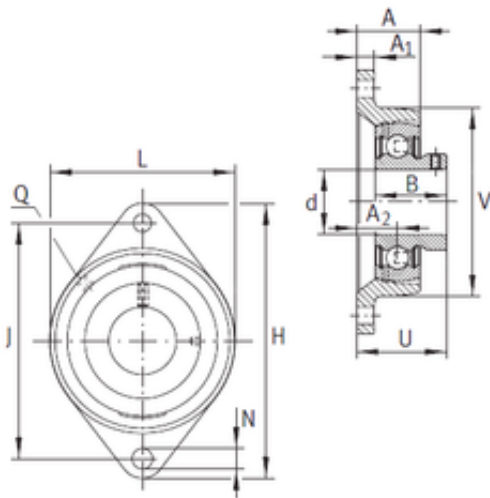




BEARING USA CORP.

B32-3CC5 Deep Groove Ball Bearing 32x62x16mm



Bearing No. PCJTY45

Bore Diameter	45 mm
d	45 mm
V	111 mm
U	54,5 mm
Thread (Q)	Rp1/8
A	35 mm
A1	13 mm
B	41,5 mm
H	180 mm
J	148,5 mm
L	111 mm
N	14 mm
A2	24 mm
Weight	1,69 Kg
Basic dynamic load rating (C)	32,5 kN
Category	Flange Block Bearings
Inventory	0.0
Manufacturer Name	SCHAEFFLER GROUP
Minimum Buy Quantity	N/A
Weight / Kilogram	2.096
Product Group	M06110
Number of Mounting Holes	2
Mounting Method	Set Screw
Housing Style	2 Bolt Flange Block
Rolling Element	Ball Bearing

PCJTY45 Bearing 2D drawings and 3D CAD models



BEARING USA CORP.

Housing Material	Cast Iron
Expansion / Non-expansion	Non-expansion
Mounting Bolts	14 Millimeter
Relubricatable	Yes
Insert Part Number	GAY45NPPB
Seals	Double Lip Contact
Housing Configuration	1 Piece Solid
Pilot Configuration	No Pilot
Inch - Metric	Metric
Long Description	2 Bolt Flange Block; 45MM Bore; 148MM Bolt Circle; 148.5MM Bolt Spacing; 1 Piece Solid; Set Screw Mount; Cast Iron; Ball Bearing; 41.5MM Length Thru Bore; Relubricatable; Double Lip Contact Seals
Other Features	Single Row With Grub Screw
Category	Flange Block
UNSPSC	31171501
Harmonized Tariff Code	8483.20.40.40
Noun	Bearing
Keyword String	Flanged
Manufacturer URL	http://www.ina.com
Manufacturer Item Number	PCJTY45
Weight / LBS	4.631
Nominal Bolt Circle Diameter Round	5.8 Inch 148 Millimeter
Cartridge Pilot Diameter	0 Inch 0 Millimeter
Cartridge Pilot Depth	0 Inch 0 Millimeter
Bore	1.772 Inch 45 Millimeter
Bolt Spacing	5.846 Inch 148.5 Millimeter
Length Thru Bore	1.634 Inch 41.5 Millimeter



BEARING USA CORP.