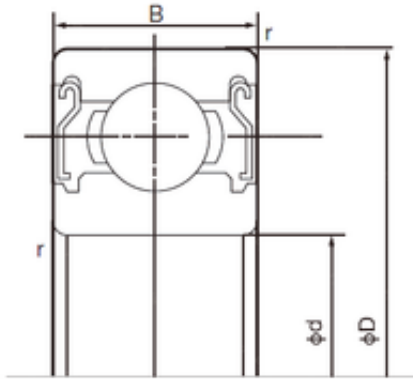




# BEARING USA CORP.

## 30 mm x 55 mm x 13 mm 1409810125 Deep Groove Ball Bearing 32x62x16mm



Bearing No. 6006ZZE

6006ZZE Bearing 2D drawings and 3D CAD models

Size	30x55x13 mm
Bore Diameter	30 mm
Outer Diameter	55 mm
Width	13 mm
d	30 mm
D	55 mm
B	13 mm
C	13 mm
r min.	1.0 mm
da min.	35 mm
Da max.	50 mm
ra max.	1.0 mm
Weight	0.117 Kg
Basic dynamic load rating (C)	13,2 kN
Basic static load rating (C0)	8,3 kN
(Grease) Lubrication Speed	12000 r/min
Category	Single Row Ball Bearings
Inventory	0.0
Manufacturer Name	NACHI
Minimum Buy Quantity	N/A
Weight / Kilogram	0
EAN	4991893524246
Product Group	B00308
Enclosure	2 Metal Shields
Precision Class	ABEC 1   ISO P0



## BEARING USA CORP.

Maximum Capacity / Filling Slot	No
Rolling Element	Ball Bearing
Snap Ring	No
Internal Special Features	No
Cage Material	Steel
Internal Clearance	C0-Medium
Inch - Metric	Metric
Long Description	30MM Bore; 55MM Outside Diameter; 13MM Outer Race Width; 2 Metal Shields; Ball Bearing; ABEC 1   ISO P0; No Filling Slot; No Snap Ring; No Internal Special Features; C0-Medium Internal Clearance; Stee
Other Features	Deep Groove
Category	Single Row Ball Bearing
UNSPSC	31171504
Harmonized Tariff Code	8482.10.50.68
Noun	Bearing
Keyword String	Ball
Manufacturer URL	<a href="http://www.nachiamerica.com">http://www.nachiamerica.com</a>
Outer Race Width	0.512 Inch   13 Millimeter
Bore	1.181 Inch   30 Millimeter
Inner Race Width	0 Inch   0 Millimeter
Outside Diameter	2.165 Inch   55 Millimeter
Bore Type	Cylindrical Bore
Configuration	Single Row
Bore Size	30 mm
Width	13 mm
Fillet Radius/Chamfer	1 mm
Dynamic Load Rating	13,200 N



## BEARING USA CORP.

Static Load Rating	8,300 N
Limiting Speed - Grease	13,000 rpm
Factor $f_0$	14.8
Radial Clearance	0.005 to 0.020 mm
$d_a$ (min)	35 mm
$D_a$ (max)	50 mm
$r_a$ (max)	1 mm